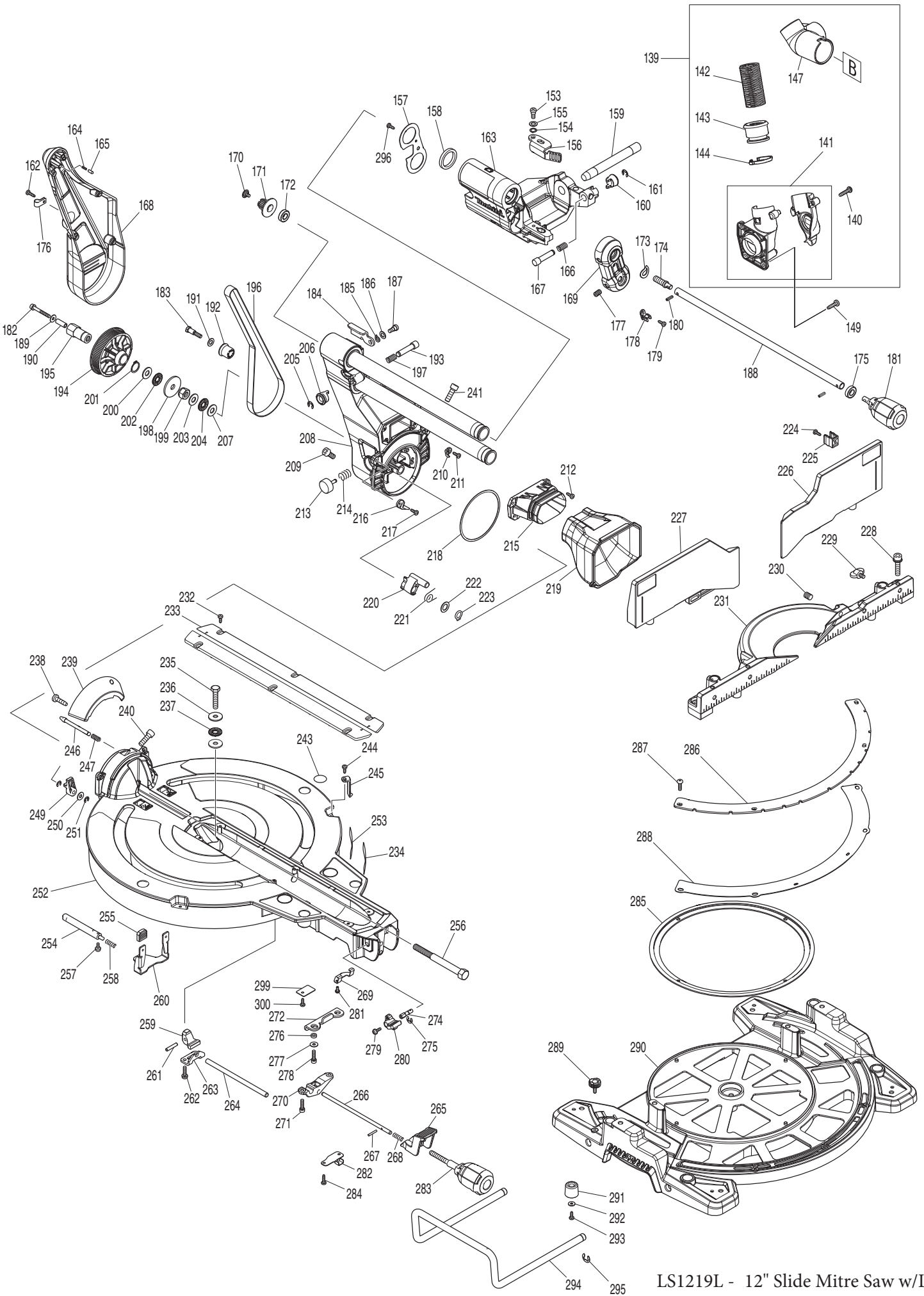


LS1219L - 12" Slide Mitre Saw w/Laser



LS1219L - 12" Slide Mitre Saw w/Laser  
2/2

Item No.	Type	Sub	Part No.	Description	Qty	Unit
001			265995-6	TAPPING SCREW 4X18	6	PC.
002			183H21-6	HANDLE SET	1	PC.
		INC.	810484-2	CAUTION LABEL	1	PC.
		INC.	808641-4	SWITCH INDICATION LABEL	1	PC.
003			638652-3	LASER SWITCH UNIT	1	PC.
004			620723-0	POWER SUPPLY CIRCUIT	1	PC.
005			451412-4	CASE	1	PC.
006			451003-1	SWITCH LEVER	1	PC.
007			416356-5	LOCK-OFF LEVER	1	PC.
008			650687-4	SWITCH TGC32B	1	PC.
009			231026-3	COMPRESSION SPRING 4	1	PC.
013			265995-6	TAPPING SCREW 4X18	4	PC.
015			451037-4	SWITCH BUTTON	1	PC.
016			451000-7	LEAD COVER HOLDER	1	PC.
017			265995-6	TAPPING SCREW 4X18	1	PC.
018			265995-6	TAPPING SCREW 4X18	2	PC.
019			457652-2	REAR COVER	1	PC.
020			664478-7	CORD W/PLUG 2P-14-3.0M,SJ	1	PC.
021			265995-6	TAPPING SCREW 4X18	2	PC.
022			687124-5	STRAIN RELIEF	1	PC.
023			631863-9	CONTROLLER	1	PC.
024			911948-0	PAN HEAD SCREW M6X80 WITH WR	4	PC.
025			854B49-2	NAME PLATE F/LS1219L	1	PC.
026			144532-8	MOTOR HOUSING COMPLETE	1	PC.
		INC.	643653-8	BRUSH HOLDER 6.5-13.5	2	PC.
027			194986-9	CARBON BRUSH CB-154 2PC/SET W/ ORIGIN	1	SET
028			643650-4	BRUSH HOLDER CAP 6.5-13.5	2	PC.
029			590026-5	FIELD ASSY 115V	1	PC.
		INC.	654020-2	RING TERMINAL	2	PC.
		INC.	654502-4	CONNECTOR P-2	2	PC.
030			266329-6	TAPPING SCREW 5X60	2	PC.
031			210067-2	BALL BEARING 6000ZZ	1	PC.
032			681642-5	INSULATION WASHER	1	PC.
033			240001-8	FAN 80	1	PC.
034			510159-0	ARMATURE ASSY 115V	1	PC.
		INC.		Item No. 31-33		
035			451194-8	BAFFLE PLATE	1	PC.
036			318471-0	MOTOR BRACKET	1	PC.
037			961057-5	RETAINING RING S-17	1	PC.
038			210301-0	BALL BEARING 6003DDW	1	PC.
039			922331-6	HEX. SOCKET HEAD BOLT M6X20	1	PC.
040			253804-1	FLAT WASHER 6	1	PC.
041	2		257461-7	RING 6	1	PC.
	2		459250-8	* DUST NOZZLE	1	PC.
043			687042-7	STRAIN RELIEF	1	PC.
044			266034-5	TAPPING SCREW CT 4X16	1	PC.
045			251554-2	THUMB SCREW M6X40	1	PC.
046			922332-4	HEX. SOCKET HEAD BOLT M6X20	1	PC.
047			458146-0	LOGO PLATE	1	PC.
048			961018-5	STOP RING E-5	1	PC.
049			251547-9	HEX.SOCKET HEAD BOLT M8X25	1	PC.
050			922251-4	HEX. SOCKET HEAD BOLT M5X30	1	PC.
051			266034-5	TAPPING SCREW CT 4X16	3	PC.
052	2		140J53-8	LINK PLATE COMPLETE	1	PC.
053	2		257461-7	RING 6	1	PC.
054			253804-1	FLAT WASHER 6	1	PC.
055	2		262190-9	URETHANE RING 5	1	PC.
056	2		253428-3	SPRING WASHER 6	1	PC.
057			257449-7	SLEEVE 6	1	PC.
058			266321-2	H.S.SET SCREW(FLAT POINT)M6X16	1	PC.
059			911114-9	PAN HEAD SCREW M4X10	2	PC.
060	2		232412-1	TORSION SPRING 11	1	PC.
061			457764-1	DUST GUIDE PLATE	1	PC.

Item No.	Type	Sub	Part No.	Description	Qty	Unit
062			161647-6	GUARD HOLDER	1	PC.
063			231928-3	RING SPRING 8	1	PC.
064			251544-5	SHOULDER HEX. BOLT M4	1	PC.
065	2		140F82-7	BLADE CASE COMPLETE	1	PC.
		INC.	263005-3	RUBBER PIN 6	3	PC.
		INC.	810106-4	LASER BEAM CAUTION LABEL	1	PC.
		INC.	810124-2	LASER BEAM CAUTION LABEL	1	PC.
066			231240-1	COMPRESSION SPRING 7	1	PC.
067			256633-1	PIN 6	1	PC.
068			458148-6	LEAD COVER	1	PC.
069			265028-7	+ PAN HEAD SCREW M4X11	1	PC.
070			422235-7	GUARD	1	PC.
071			347308-4	GUARD PLATE	1	PC.
072			266283-4	HEX. SOCKET HEX. BOLT M8X20	1	PC.
073			266020-6	TAPPING SCREW 4X12	1	PC.
074			961052-5	RETAINING RING S-12	1	PC.
075			210005-4	BALL BEARING 608DDW	1	PC.
076			261104-5	RUBBER WASHER 12	1	PC.
077			253744-3	FLAT WASHER 12	1	PC.
078			254001-2	WOODRUFF KEY 4	1	PC.
079			227550-2	SPIRAL BEVEL GEAR 32	1	PC.
080			253744-3	FLAT WASHER 12	1	PC.
081			253313-0	THIN WASHER 14	1	PC.
082			451002-3	GREASE HOLDER	1	PC.
083			266026-4	TAPPING SCREW BIND CT 4X12	2	PC.
084			325643-0	GEAR SHAFT	1	PC.
085	3		216049-2	STEEL BALL 4	1	PC.
086			227702-5	HELICAL GEAR 27	1	PC.
087			227701-7	HELICAL GEAR 14	1	PC.
088			210067-2	BALL BEARING 6000ZZ	1	PC.
089			442147-8	GASKET	1	PC.
090			961055-9	RETAINING RING S-15	1	PC.
091			210005-4	BALL BEARING 608DDW	1	PC.
092			911223-4	PAN HEAD SCREW M5X16	3	PC.
093			227703-3	HELICAL GEAR 28	1	PC.
094			267010-2	FLAT WASHER 5	1	PC.
095			210005-4	BALL BEARING 608DDW	1	PC.
096			158957-0	BEARING BOX COMPLETE	1	PC.
		INC.	263002-9	RUBBER PIN 4	1	PC.
097			285847-5	BEARING RETAINER 14-23	1	PC.
098			931202-6	HEX. NUT M5	1	PC.
099	2		253427-5	SPRING WASHER 5	1	PC.
100			325644-8	SPINDLE	1	PC.
101			211236-8	BALL BEARING 6002DDW	1	PC.
102			285732-2	BEARING RETAINER 51	1	PC.
103			224431-1	INNER FLANGE 53	1	PC.
104			224432-9	OUTER FLANGE 53	1	PC.
105			257060-5	RING 15.8	1	PC.
106			265034-2	+ COUNTERSUNK HEAD SCREW M5X16	2	PC.
107			266755-9	HEX.SOCKET HEAD BOLT M10X20	1	PC.
108			941051-3	FLAT WASHER 4	2	PC.
109			266020-6	TAPPING SCREW 4X12	2	PC.
110			418104-8	LENS	1	PC.
111			419378-4	BLOCK B	1	PC.
112			911003-8	PAN HEAD SCREW M3X6	2	PC.
113			231664-1	TORSION SPRING 9	1	PC.
114			266318-1	H.S.SET SCREW(FLAT POINT)M4X6	1	PC.
115			266306-8	SHOULDER SCREW M5	1	PC.
116			419379-2	BLOCK C	1	PC.
117			233471-8	COMPRESSION SPRING 6	1	PC.
118			638651-5	LASER CIRCUIT COMPLETE	1	PC.
119			231664-1	TORSION SPRING 9	1	PC.
120			266318-1	H.S.SET SCREW(FLAT POINT)M4X6	1	PC.

Item No.	Type	Sub	Part No.	Description	Qty	Unit
121			266229-0	H.S.SET SCREW(CUP POINT)M5X8	2	PC.
122	2		458903-6	LASER COVER	1	PC.
123			266034-5	TAPPING SCREW CT 4X16	2	PC.
124			457664-5	PROTECTOR	1	PC.
125			265753-0	THUMB SCREW M5X24	1	PC.
126	2		267066-5	FLAT WASHER 5	1	PC.
127			424193-3	ROLLER	2	PC.
128			266385-6	TAPPING SCREW 4X14	3	PC.
129			458144-4	SAFETY COVER B	1	PC.
130			266385-6	TAPPING SCREW 4X14	1	PC.
131			347213-5	CENTER PLATE	1	PC.
132			231634-0	TORSION SPRING 45	1	PC.
133			424190-9	CUSHION	1	PC.
134			347214-3	CENTER COVER	1	PC.
135			265985-9	HEX.SOCKET HEAD BOLT M6	1	PC.
136			253932-2	WAVE WASHER 10	1	PC.
137			210168-6	BALL BEARING 6805DDW	1	PC.
138			458437-9	SAFETY COVER A	1	PC.
139	1		126792-4	* DUST NOZZLE ASSY	1	PC.
		INC.		* Item No. 140-144,147		
	2		127274-9	* DUST NOZZLE ASSY	1	PC.
		INC.	458939-5	* BUTTON A	1	PC.
		INC.	232485-4	* COMPRESSION SPRING 5	1	PC.
		INC.		* Item No. 140-144,147	1	PC.
140			265995-6	TAPPING SCREW 4X18	3	PC.
141			183H71-1	HOSE CONNECTOR SET	1	SE
142			245048-7	HOSE 28-0.5	1	PC.
143			457672-6	SLEEVE	1	PC.
144			457673-4	STOPPER	1	PC.
147	2		459249-3	* HOSE JOINT	1	PC.
149			266034-5	TAPPING SCREW CT 4X16	3	PC.
150			458149-4	SLEEVEE 17	2	PC.
152			233542-1	TORSION SPRING 40	1	PC.
153			251267-5	+ PAN HEAD SCREW M6	1	PC.
154			253948-7	WAVE WASHER 8	1	PC.
155			253835-0	FLAT WASHER 8	1	PC.
156			347221-6	STOPPER ARM	1	PC.
157			347222-4	FRONT ARM PLATE	1	PC.
158			262076-7	FELT RING 30	2	PC.
159			326994-4	ROD 16	1	PC.
160			271437-0	KNOB 22	1	PC.
161			961013-5	STOP RING E-7	1	PC.
162			266034-5	TAPPING SCREW CT 4X16	4	PC.
163			144913-6	FRONT ARM COMPLETE	1	PC.
		INC.	263005-3	RUBBER PIN 6	2	PC.
		INC.	816787-2	INDICATION LABEL ENG	1	PC.
164			233151-6	COMPRESSION SPRING 4	1	PC.
165			256364-2	PIN 4	1	PC.
166			232384-0	COMPRESSION SPRING 10	1	PC.
167			326977-4	STOPPER PIN	1	PC.
168			458145-2	ARM COVER	1	PC.
169			144658-6	HOLDER COMPLETE	1	PC.
		INC.	812X89-8	INDICATION LABEL	1	PC.
170			265008-3	+ FLAT HEAD SCREW M5	1	PC.
171			222191-9	PULLEY 17-19.3	1	PC.
172			210167-8	BALL BEARING 6900LLB	1	PC.
173			267804-5	WAVE WASHER 15	1	PC.
174			326975-8	SHAFT	1	PC.
175			210167-8	BALL BEARING 6900LLB	1	PC.
176			687042-7	STRAIN RELIEF	1	PC.
177			913416-9	SET SCREW M8X12	2	PC.
178			416536-3	WRENCH HOLDER	1	PC.
179			266026-4	TAPPING SCREW BIND CT 4X12	1	PC.

Item No.	Type	Sub	Part No.	Description	Qty	Unit
180			951107-4	SPRING PIN 4-14	2	PC.
181			273016-0	GRIP 50 B	1	PC.
182			266440-4	HEX SOCKET HEAD BOLT M5X40	1	PC.
183			251545-3	SHOULDER HEX. BOLT M6	1	PC.
184			144930-6	STOP LEVER COMPLETE	1	PC.
		INC.	812X87-2	INDICATION LABEL	1	PC.
185			253948-7	WAVE WASHER 8	1	PC.
186			253835-0	FLAT WASHER 8	1	PC.
187			251267-5	+ PAN HEAD SCREW M6	1	PC.
188			327054-5	PIN 9-418	1	PC.
189			253194-2	FLAT WASHER 5	1	PC.
190			257436-6	SLEEVE 5	1	PC.
191			253165-9	FLAT WASHER 8	1	PC.
192			457666-1	SLEEVE 20	1	PC.
193			326977-4	STOPPER PIN	1	PC.
194			222192-7	PULLEY 17-87.8	1	PC.
195			327053-7	HEX. NUT M10-19	1	PC.
196			225102-3	SYNCHRO BELT 15-810	1	PC.
197			232384-0	COMPRESSION SPRING 10	1	PC.
198			253388-9	FLAT WASHER 10	1	PC.
199			252244-0	HEX.LOCK NUT M10-17	1	PC.
200			253024-7	FLAT WASHER 10	1	PC.
201			961057-5	RETAINING RING S-17	1	PC.
202			216413-7	THRUST NEEDLE CAGE 1024	1	PC.
203			253024-7	FLAT WASHER 10	1	PC.
204			216413-7	THRUST NEEDLE CAGE 1024	1	PC.
205			961013-5	STOP RING E-7	1	PC.
206			271437-0	KNOB 22	1	PC.
207			253024-7	FLAT WASHER 10	1	PC.
208			144911-0	ARM COMPLETE	1	PC.
		INC.	812X88-0	INDICATION LABEL	1	PC.
209			251547-9	HEX.SOCKET HEAD BOLT M8X25	1	PC.
210			458151-7	INDICATION PLATE R	1	PC.
211			266026-4	TAPPING SCREW BIND CT 4X12	1	PC.
212			266034-5	TAPPING SCREW CT 4X16	4	PC.
213			415208-7	RELEASE BUTTON	1	PC.
214			233031-6	COMPRESSION SPRING 12	1	PC.
215			457654-8	DUST GUIDE HOLDER	1	PC.
216			458150-9	INDICATION PLATE L	1	PC.
217			266026-4	TAPPING SCREW BIND CT 4X12	1	PC.
218			253389-7	WASHER 94	1	PC.
219			422229-2	DUST GUIDE	1	PC.
220			319593-9	STOPPER	1	PC.
221			231646-3	TORSION SPRING 14	1	PC.
222			253744-3	FLAT WASHER 12	1	PC.
223			961052-5	RETAINING RING S-12	1	PC.
224			266026-4	TAPPING SCREW BIND CT 4X12	2	PC.
225			457668-7	HOLDER	2	PC.
226			144924-1	UPPER FENCE R COMPLETE	1	PC.
		INC.	812X81-4	CAUTION LABEL	1	PC.
227			144921-7	UPPER FENCE L COMPLETE	1	PC.
		INC.	812X81-4	CAUTION LABEL	1	PC.
228			922458-2	H.S.H.BOLT M8X35 WITH WR	4	PC.
229			251887-5	SCREW M6X10	2	PC.
230			251561-5	H.SOCKET HEAD SET SCREW M10X12	2	PC.
231			319584-0	GUIDE FENCE	1	PC.
232			266026-4	TAPPING SCREW BIND CT 4X12	6	PC.
233			451201-7	KERF BOARD	2	PC.
234			812X84-8	CAUTION LABEL	1	PC.
235			265442-7	HEX. BOLT M8X40	1	PC.
236			253852-0	FLAT WASHER 8	2	PC.
237			216413-7	THRUST NEEDLE CAGE 1024	1	PC.

Item No.	Type	Sub	Part No.	Description	Qty	Unit
238			266385-6	TAPPING SCREW 4X14	2	PC.
239			458147-8	BEVEL SCALE PLATE	1	PC.
240			251547-9	HEX.SOCKET HEAD BOLT M8X25	1	PC.
241			251547-9	HEX.SOCKET HEAD BOLT M8X25	1	PC.
243			813L22-1	CAUTION LABEL	2	PC.
244			266026-4	TAPPING SCREW BIND CT 4X12	2	PC.
245			457702-3	INDICATION PLATE	2	PC.
246			326970-8	LOCK PIN 8	1	PC.
247			234122-6	COMPRESSION SPRING 6	1	PC.
249			457657-2	LEVER 25	1	PC.
250			253804-1	FLAT WASHER 6	1	PC.
251			961018-5	STOP RING E-5	2	PC.
252			144927-5	TURN BASE COMPLETE	1	PC.
		INC.		Item No. 234,243,253		
253			812X82-2	CAUTION LABEL	1	PC.
254			326973-2	ROD 12	1	PC.
255			286039-9	CAP	2	PC.
256			326976-6	CENTER SHAFT	1	PC.
257			911113-1	PAN HEAD SCREW M4X10 WITH WR	2	PC.
258			231325-3	COMPRESSION SPRING 6	1	PC.
259			310803-7	TURN STOPPER	1	PC.
260			347217-7	LEVER PLATE	1	PC.
261			256186-0	PIN 5	1	PC.
262			911231-5	PAN HEAD SCREW M5X20	2	PC.
263			347219-3	STOPPER HOLDER	1	PC.
264			327052-9	LOCK ROD	1	PC.
265			457656-4	LOCK LEVER	1	PC.
266			327051-1	LOCK PIN 6	1	PC.
267			256158-5	PIN 3	1	PC.
268			231325-3	COMPRESSION SPRING 6	1	PC.
269			347237-1	CAM PLATE	1	PC.
270			319592-1	PIN HOLDER	1	PC.
271			922231-0	HEX. SOCKET HEAD BOLT M5X20	2	PC.
272			347216-9	LOCK PLATE	1	PC.
274			326972-4	ROD 6	1	PC.
275			961011-9	STOP RING E-4	1	PC.
276			257425-1	RING 5	2	PC.
277			253194-2	FLAT WASHER 5	2	PC.
278			922231-0	HEX. SOCKET HEAD BOLT M5X20	2	PC.
279			911113-1	PAN HEAD SCREW M4X10 WITH WR	1	PC.
280			144656-0	LEVER 25 COMPLETE	1	PC.
		INC.				
			263005-3	RUBBER PIN 6	1	PC.
281			911008-8	PAN HEAD SCREW M3X8	1	PC.
282			345272-3	LOCK LEVER PLATE	1	PC.
283			273015-2	GRIP 50A	1	PC.
284			266026-4	TAPPING SCREW BIND CT 4X12	2	PC.
285			457655-6	SLIDE PLATE	1	PC.
286	2		347412-9	MITER SCALE PLATE	1	PC.
287			251546-1	+ PAN HEAD SCREW M5	4	PC.
288			347218-5	MITER LOCK PLATE	1	PC.
289			265786-5	SCREW M5X16	2	PC.
290			310891-4	BASE	1	PC.
291			421845-7	FOOT	4	PC.
292			267195-4	FLAT WASHER 4	4	PC.
293			266026-4	TAPPING SCREW BIND CT 4X12	4	PC.
294	1		327095-1	* HOLDER 200 (No longer used with Type 2)	2	PC.
295			961015-1	STOP RING E-9	2	PC.
296			266026-4	TAPPING SCREW BIND CT 4X12	1	PC.
297			266318-1	H.S.SET SCREW(FLAT POINT)M4X6	1	PC.
299			232249-6	LEAF SPRING	1	PC.
300			266026-4	TAPPING SCREW BIND CT 4X12	1	PC.
302			327145-2	HOLDER 90	1	PC.
303			266213-5	H.S.SET SCREW(FLAT POINT)M5X12	1	PC.

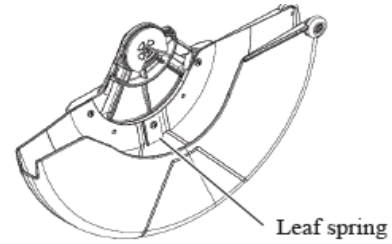
Item No.	Type	Sub	Part No.	Description	Qty	Unit
304			232249-6	* LEAF SPRING	1	PC.
305			319815-7	* SUB BASE	2	PC.
306			319815-7	* ROD 12	4	PC.
307			327315-3	* PH SCREW M4X10 W/WR	4	PC.
308			347509-4	* SUB FENCE	2	PC.
309			922443-5	* HSH BOLT M8X25 W/WR	4	PC.
C01			820T19-1	CARTON FOR LS1219L	1	PC
<b><u>ACCESSORIES</u></b>			<b>- Visit <a href="http://www.makita.ca">www.makita.ca</a> for more accessories information -</b>			
A01			122852-0	DUST BAG ASS'Y	1	PC.
		INC.	410602-8	FASTENER	1	PC.
A02			126617-2	VERTICAL VISE ASSY	1	PC.
A03			762001-3	TRIANGULAR RULE	1	PC.
A04			A-93712	12" C.T. SAW BLADE 60T MICRO-POLISHED, F/WOOD	1	PC.
A05			781044-6	HEX. WRENCH 6	1	PC.
A06			783208-8	HEX. WRENCH 2.5	1	PC.
A07			122470-4	HORIZONTAL VISE ASSY	1	PC.
		INC.	271297-0	KNOB 45	1	PC.
		INC.	344099-8	GUARD PLATE	1	PC.
		INC.	253744-3	FLAT WASHER 12	1	PC.
		INC.	253047-5	FLAT WASHER 6	1	PC.
		INC.	911317-5	P.H.SCREW M6X14	1	PC.
		INC.	286236-7	CAP 16	2	PC.
		INC.	322209-7	VICE NUT	1	PC.
		INC.	154431-6	VICE AREM COM. (special order item)	1	PC.
		INC.	316952-8	VICE PLATE (special order item)	1	PC.
A08			192628-9	CROWN MOLDING STOPPER (L.R)	1	SET



**SERVICE CHANGES**

**1. Addition of Leaf spring**

Item No.	Description	Type 1	Type 2
304	Leaf Spring	---	232249-6



**2. Changes on Dust Nozzle Section**

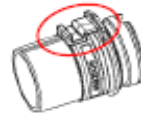
(TI# C8662)

Item No.	Description	Type 1	Type 2	Components of 139
42	Dust Nozzle	457704-9	459250-8	
139	Dust Nozzle Assy	126792-4	127274-9	
147	Hose Joint	458198-1	459249-3	
INC.	Button A	---	458939-5	
INC.	Compression Spring 5	---	232485-4	

Above parts are completely interchangeable as a set.



Dust nozzle (It is press-fit in place) (457704-9)



Dust nozzle (It is assembled with a click by button) (459250-8)



Hose joint (458198-1)

Dust nozzle ass'y (126792-4)



Button A (458939-5)

Compression spring 5 (232485-4)

Hose joint (459249-3)

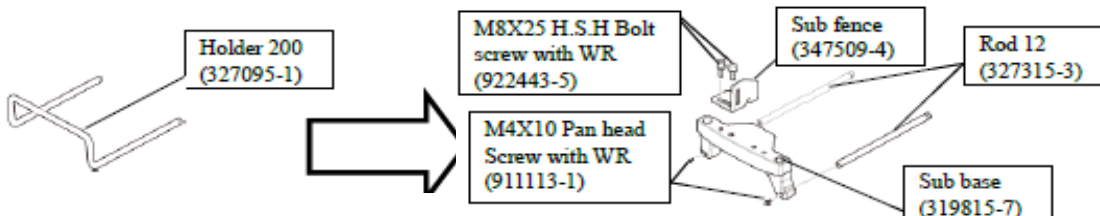
Dust nozzle assembly (127274-9)

**3. Addition of Sub Base Section**

(TI# C8662)

Item No.	Description	Type 1	Type 2
294	Holder 200	327095-1	---
305	Sub Base	---	319815-7
306	Rod 12	---	327315-3
307	PH Screw M4x10 w/WR	---	911113-1
308	Sub Fence	---	347509-4
309	HSH Bolt M8x25 w/WR	---	922443-5

Above parts are completely interchangeable as a set.



Holder 200 (327095-1)

M8X25 H.S.H Bolt screw with WR (922443-5)

Sub fence (347509-4)

Rod 12 (327315-3)

M4X10 Pan head Screw with WR (911113-1)

Sub base (319815-7)